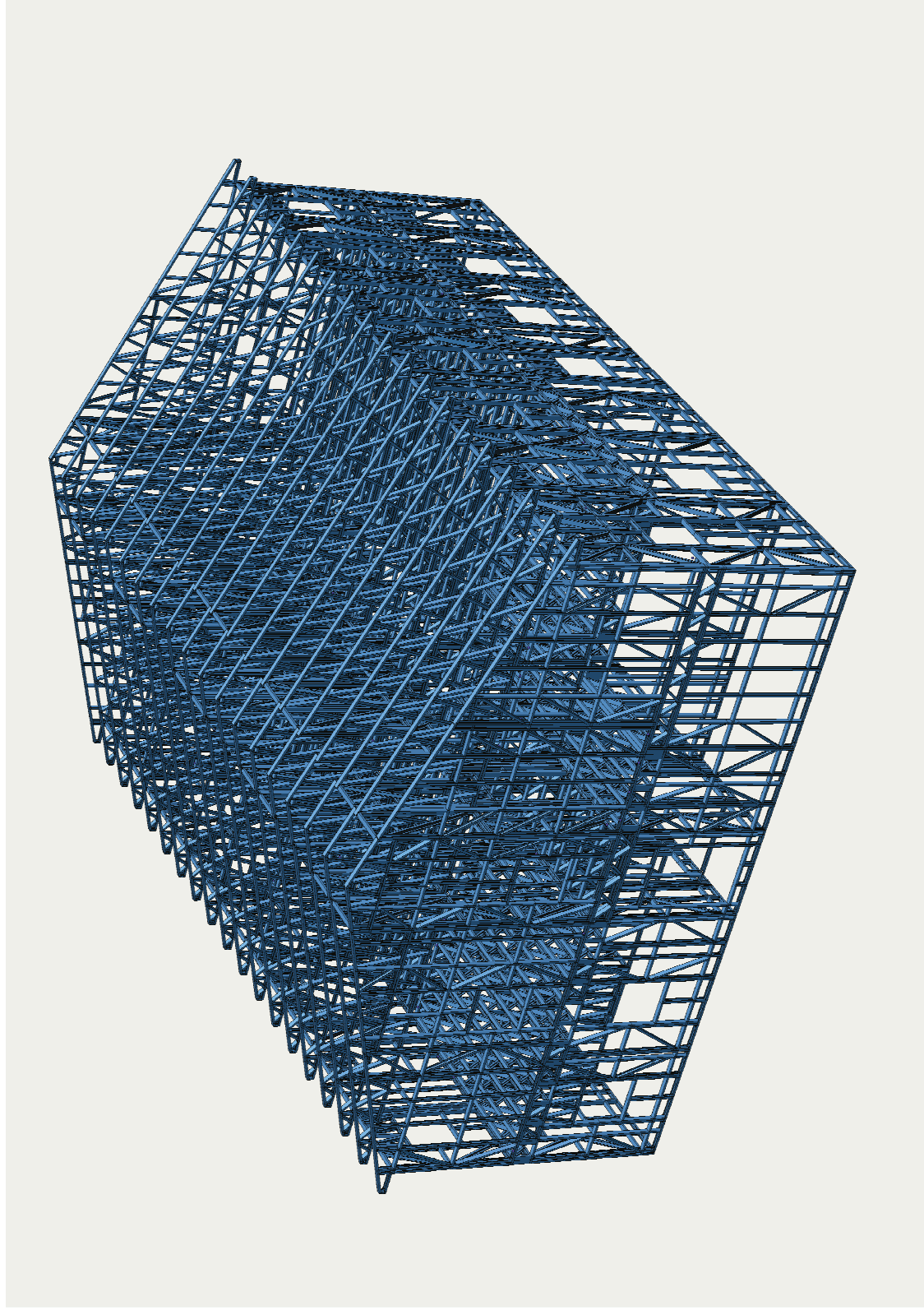


Директ
ЛСТК

КОМПЛЕКТ СБОРОЧНЫХ ЧЕТЕЖЕЙ КАРКАСА ЛСТК

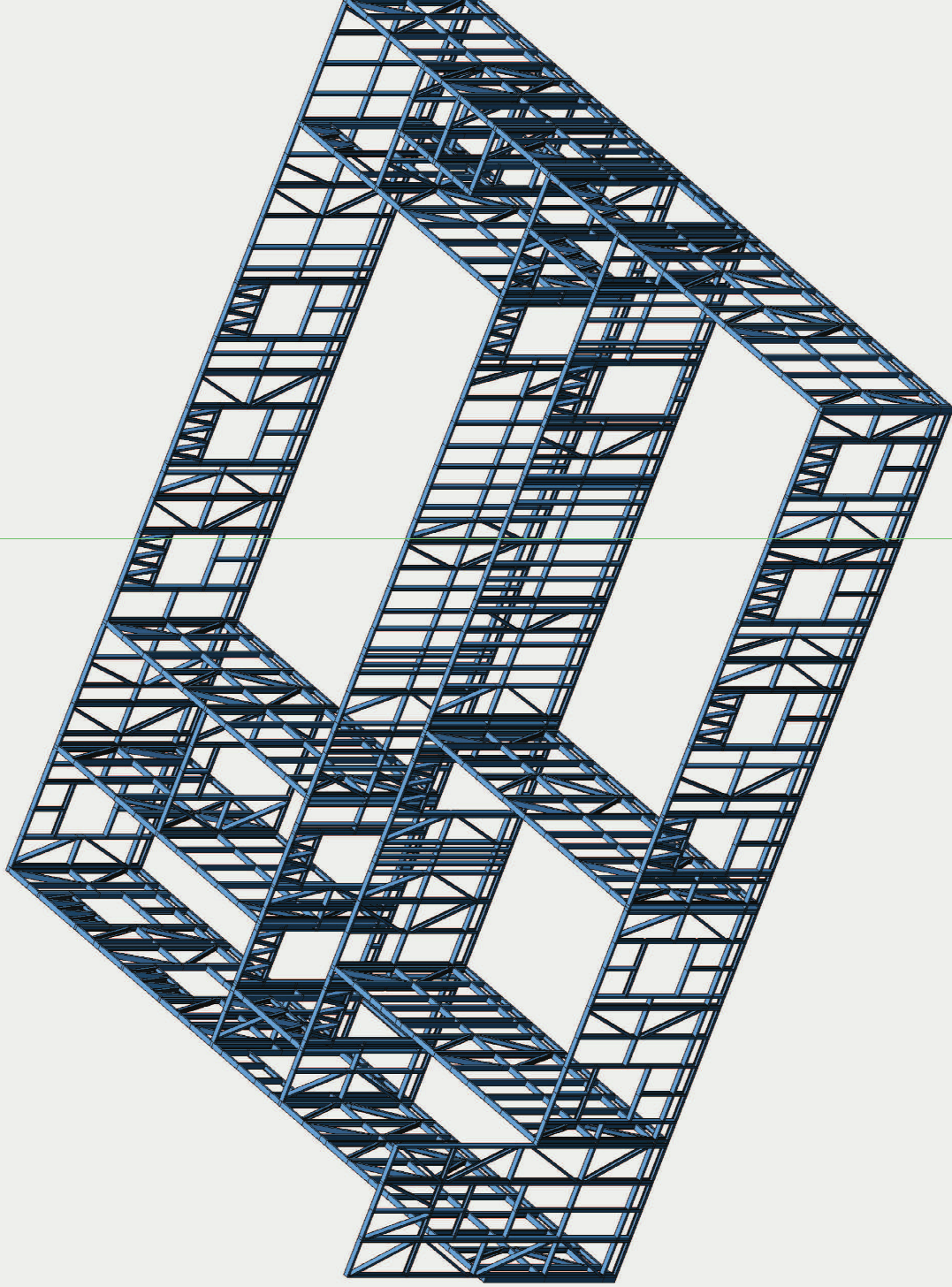
17_013

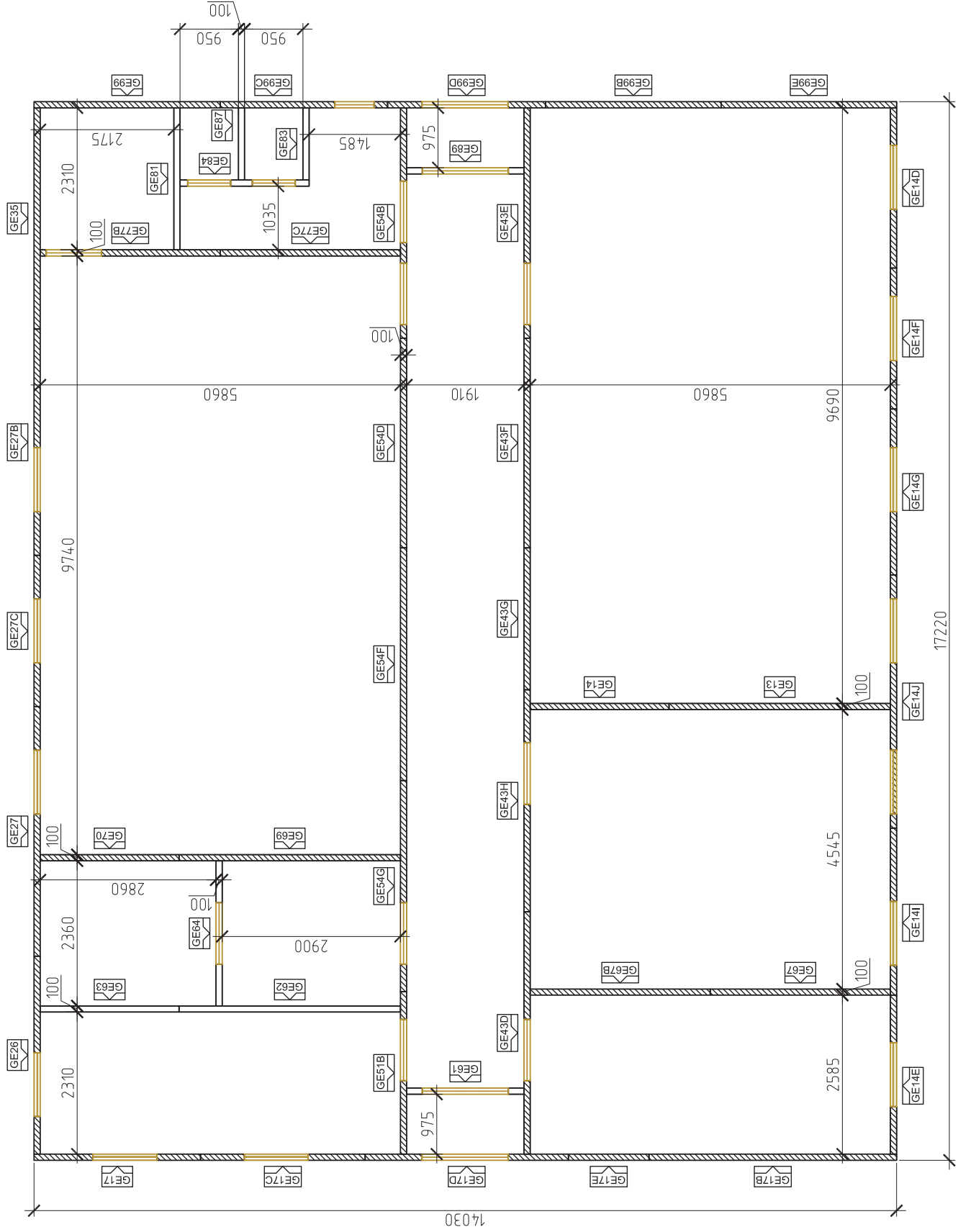


Первый этаж панели стен 1 этажа

Спецификация панелей стен 1 этажа

Panel ID	Qty	Weight (kg)
GE13	1	75.49
GE14	1	47.76
GE14D	1	71.45
GE14E	1	119.40
GE14F	1	68.60
GE14G	1	71.78
GE14I	1	56.47
GE14J	1	106.33
GE17	1	81.61
GE17B	1	78.87
GE17C	1	71.90
GE17D	1	72.60
GE17E	1	36.54
GE26	1	74.03
GE27	1	95.61
GE27B	1	88.78
GE27C	1	70.18
GE35	1	71.33
GE43D	1	100.97
GE43E	1	99.69
GE43F	1	85.18
GE43G	1	61.58
GE43H	1	118.26
GE51B	1	78.48
GE54B	1	96.37
GE54D	1	74.67
GE54F	1	96.84
GE54G	1	97.23
GE61	1	33.58
GE62	1	62.24
GE63	1	42.24
GE64	1	39.56
GE67	1	61.50
GE67B	1	67.01
GE69	1	71.43
GE70	1	47.90
GE77B	1	62.62
GE77C	1	57.30
GE81	1	46.97
GE83	1	23.63
GE84	1	52.49
GE87	1	23.63
GE89	1	33.58
GE99	1	66.14
GE99B	1	60.99
GE99C	1	78.40
GE99D	1	63.50
GE99E	1	61.37
Полоса 208x1		97.9
		3422,00





— несущие стены
высотой 3005
устанавливаются на
фундамент

— перегородки
высотой 2720 мм
устанавливаются
на предчистовую
отделку пола

WALL PANEL
GE13

QUANTITY
1

PROJECT
17_013

SCREW QTY: 88

PANEL HEIGHT
3482

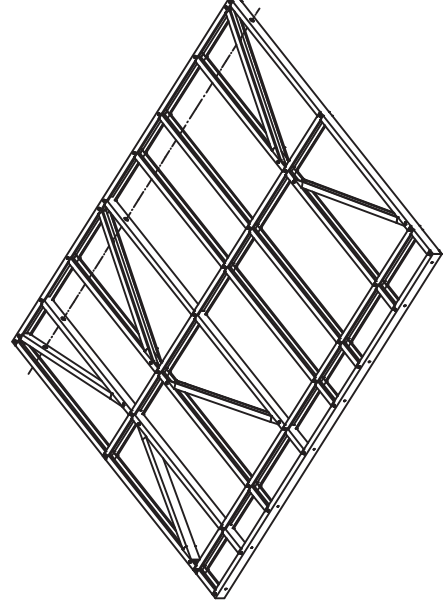
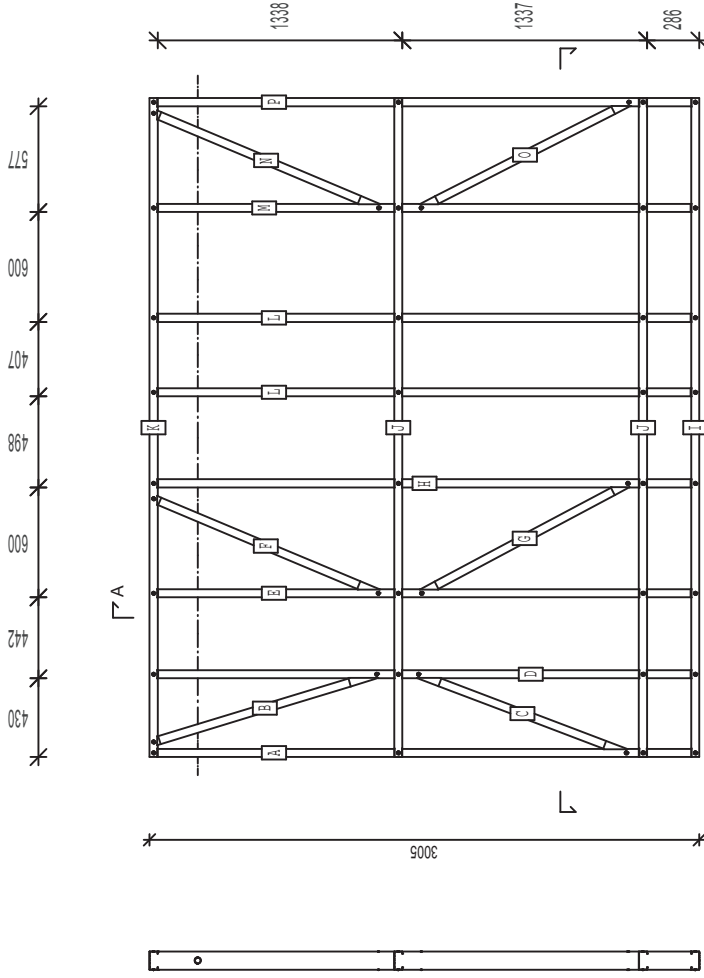
PANEL WEIGHT
75.5kg

17.03.2016

ООО "Директ Инвест" www.directsk.ru +7 988 966-11-12

PIECE LIST				
LABEL	QTY	MATERIAL	DESCRIPTION	LENGTH
A	1	C100-45-13.6-10	STUD	3003
B	1	C100-45-13.6-10	DIAGONAL BRACE	1306
C	1	C100-45-13.6-10	DIAGONAL BRACE	1244
D	1	C100-45-13.6-10	STUD	3003
E	1	C100-45-13.6-10	STUD	3003
F	1	C100-45-13.6-10	DIAGONAL BRACE	1384
G	1	C100-45-13.6-10	DIAGONAL BRACE	1308
H	1	C100-45-13.6-10	STUD	3003
I	1	C100-45-13.6-10	BOTTOM TRACK	3600
J	2	C100-45-13.6-10	MOGSIN	3600
K	1	C100-45-13.6-10	TOP TRACK	3600
L	2	C100-45-13.6-10	STUD	3003
M	1	C100-45-13.6-10	STUD	3003
N	1	C100-45-13.6-10	DIAGONAL BRACE	1367
O	1	C100-45-13.6-10	DIAGONAL BRACE	1305
P	1	C100-45-13.6-10	STUD	3003

Total Length: 46314.00mm



WALL PANEL
GE14D

QUANTITY
1

PROJECT
17_013

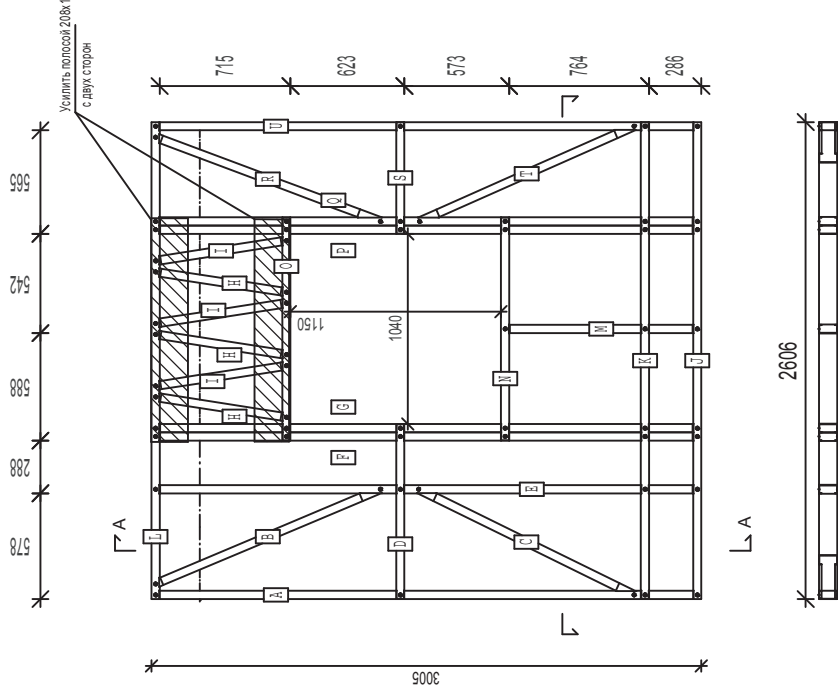
SCREW QTY: 118

PANEL HEIGHT
3482

PANEL WEIGHT
71.5kg

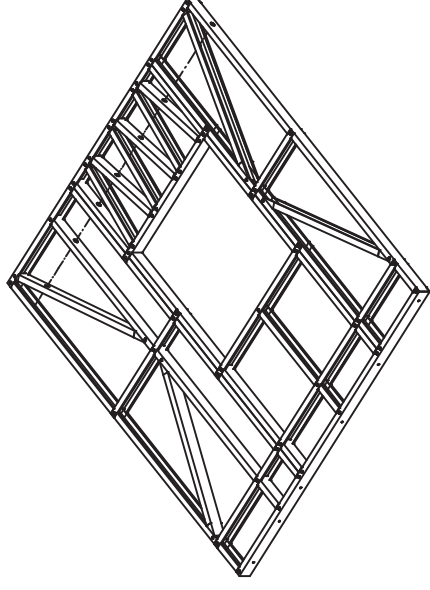
17.03.2016

ООО "Директ Инвест" www.directsk.ru +7 988 966-11-12



PIECE LIST				
LABEL	QTY	MATERIAL	DESCRIPTION	LENGTH
A	1	C100-45-13.6-10	STUD	3003
B	1	C100-45-13.6-10	DIAGONAL BRACE	1385
C	1	C100-45-13.6-10	DIAGONAL BRACE	1342
D	1	C100-45-13.6-10	NOGGIN	954
E	1	C100-45-13.6-10	KING STUD	3003
F	1	C100-45-13.6-10	KING STUD	3003
G	1	C100-45-13.6-10	KING STUD	3003
H	3	C100-45-13.6-10	INTERNAL BRACE	758
I	3	C100-45-13.6-10	INTERNAL BRACE	758
J	1	C100-45-13.6-10	BOTTOM TRACK	2806
K	1	C100-45-13.6-10	NOGGIN	2804
L	1	C100-45-13.6-10	TOP TRACK	2806
M	1	C100-45-13.6-10	CRIPPLE	1093
N	1	C100-45-13.6-10	SILL	1218
O	1	C100-45-13.6-10	HEADER	1218
P	1	C100-45-13.6-10	KING STUD	3003
Q	1	C100-45-13.6-10	KING STUD	3003
R	1	C100-45-13.6-10	DIAGONAL BRACE	1344
S	1	C100-45-13.6-10	NOGGIN	608
T	1	C100-45-13.6-10	DIAGONAL BRACE	1313
U	1	C100-45-13.6-10	STUD	3003

Total Length: 43840.00mm



WALL PANEL
GE14J

QUANTITY
1

PROJECT
17_013

SCREW QTY: 188

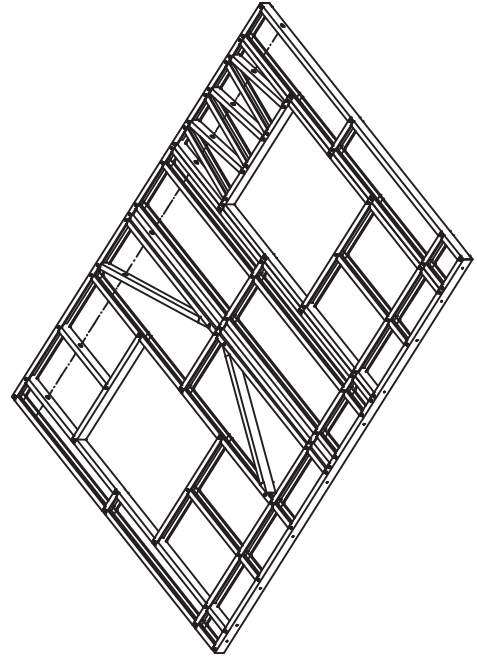
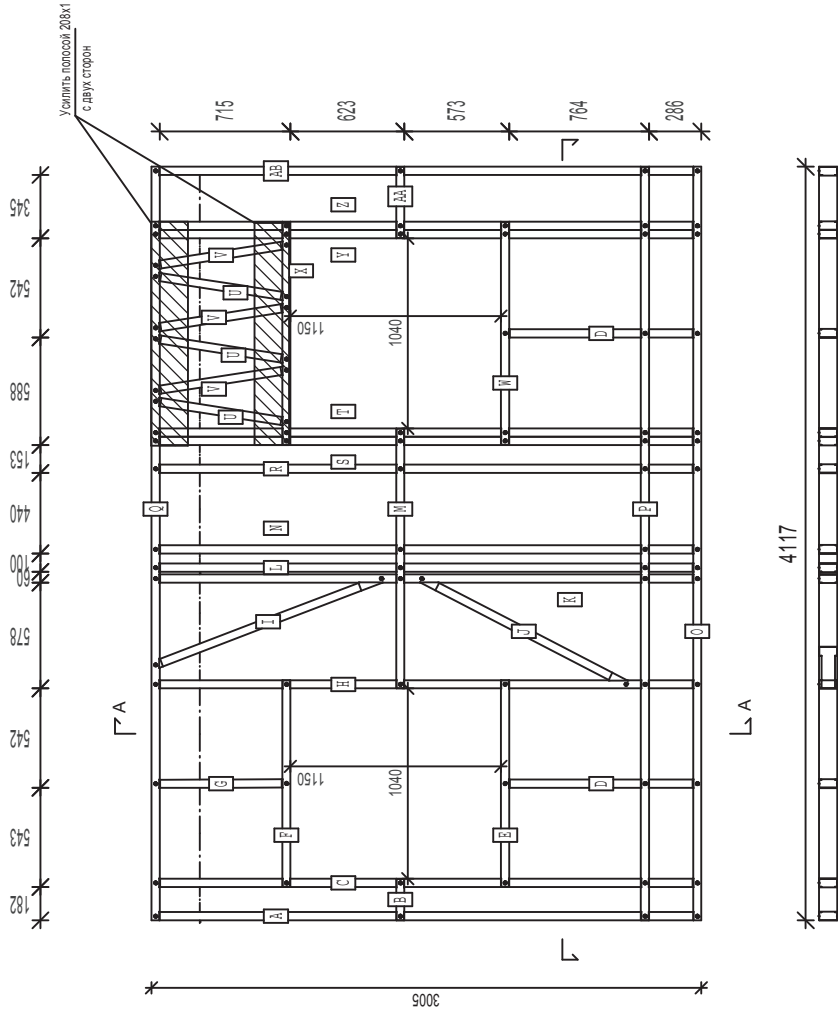
PANEL HEIGHT
3482

PANEL WEIGHT
106.3kg

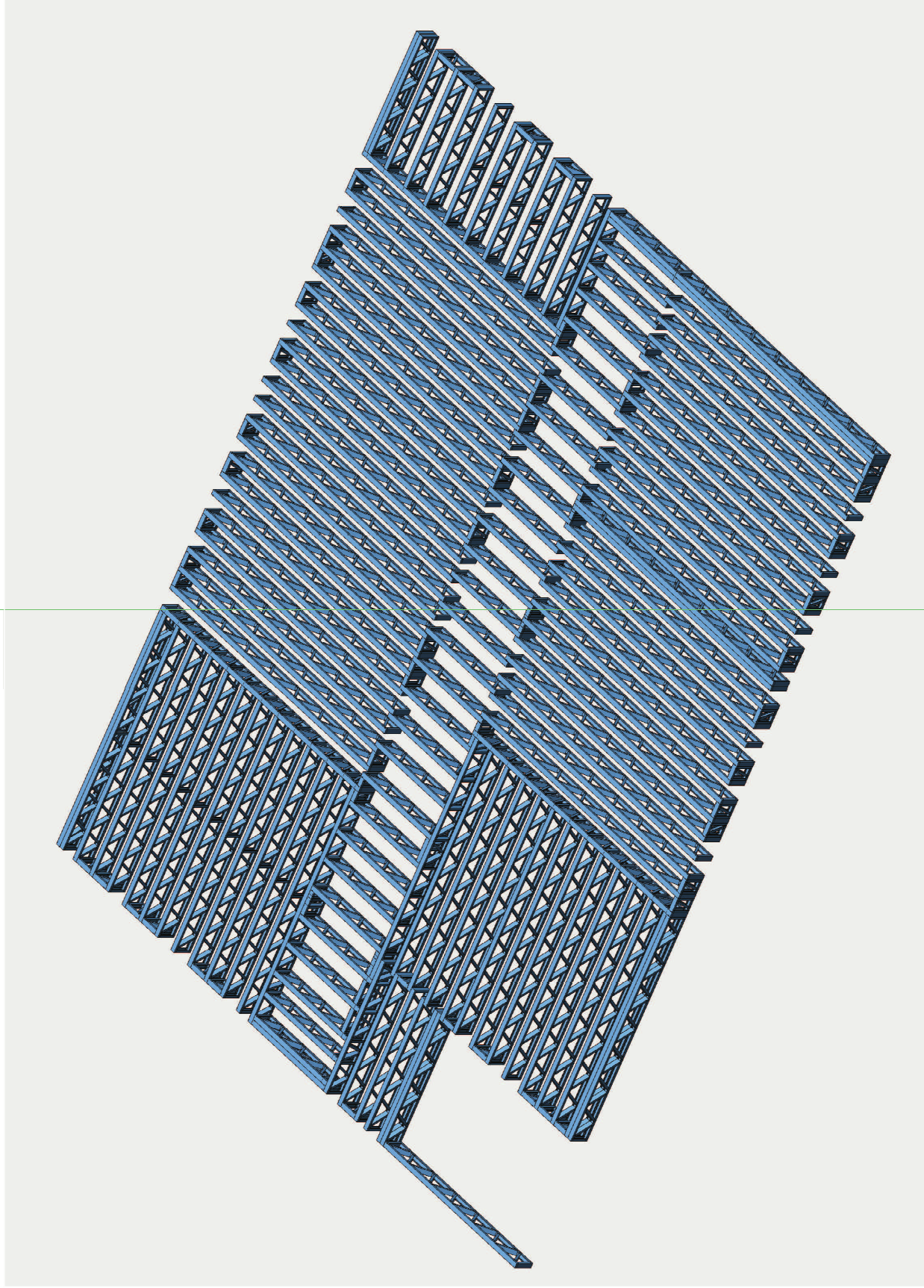
17.03.2016

ООО "Директ Инвест" www.directsk.ru +7 988 966-11-12

PIECE LIST				
LABEL	QTY	MATERIAL	DESCRIPTION	LENGTH
A	1	C100-45-13.6-10	STUD	3003
AA	1	C100-45-13.6-10	NOGGIN	388
AB	1	C100-45-13.6-10	STUD	3003
B	1	C100-45-13.6-10	NOGGIN	225
C	1	C100-45-13.6-10	KING STUD	3003
D	2	C100-45-13.6-10	CRIPPLE	803
E	1	C100-45-13.6-10	SILL	1128
F	1	C100-45-13.6-10	HEADER	1128
G	1	C100-45-13.6-10	INTERNAL BRACE	754
H	1	C100-45-13.6-10	KING STUD	3003
I	1	C100-45-13.6-10	DIAGONAL BRACE	1353
J	1	C100-45-13.6-10	DIAGONAL BRACE	1288
K	1	C100-45-13.6-10	BACKER STUD	3003
L	1	C100-45-13.6-10	BACKER STUD	3003
M	1	C100-45-13.6-10	NOGGIN	1418
N	1	C100-45-13.6-10	BACKER STUD	3003
O	1	C100-45-13.6-10	BOTTOM TRACK	4117
P	1	C100-45-13.6-10	NOGGIN	4115
Q	1	C100-45-13.6-10	TOP TRACK	4117
R	1	C100-45-13.6-10	STUD	3003
S	1	C100-45-13.6-10	KING STUD	3003
T	1	C100-45-13.6-10	KING STUD	3003
U	3	C100-45-13.6-10	INTERNAL BRACE	758
V	3	C100-45-13.6-10	INTERNAL BRACE	758
W	1	C100-45-13.6-10	SILL	1218
X	1	C100-45-13.6-10	HEADER	1218
Y	1	C100-45-13.6-10	KING STUD	3003
Z	1	C100-45-13.6-10	KING STUD	3003
Total length 6327.00mm				

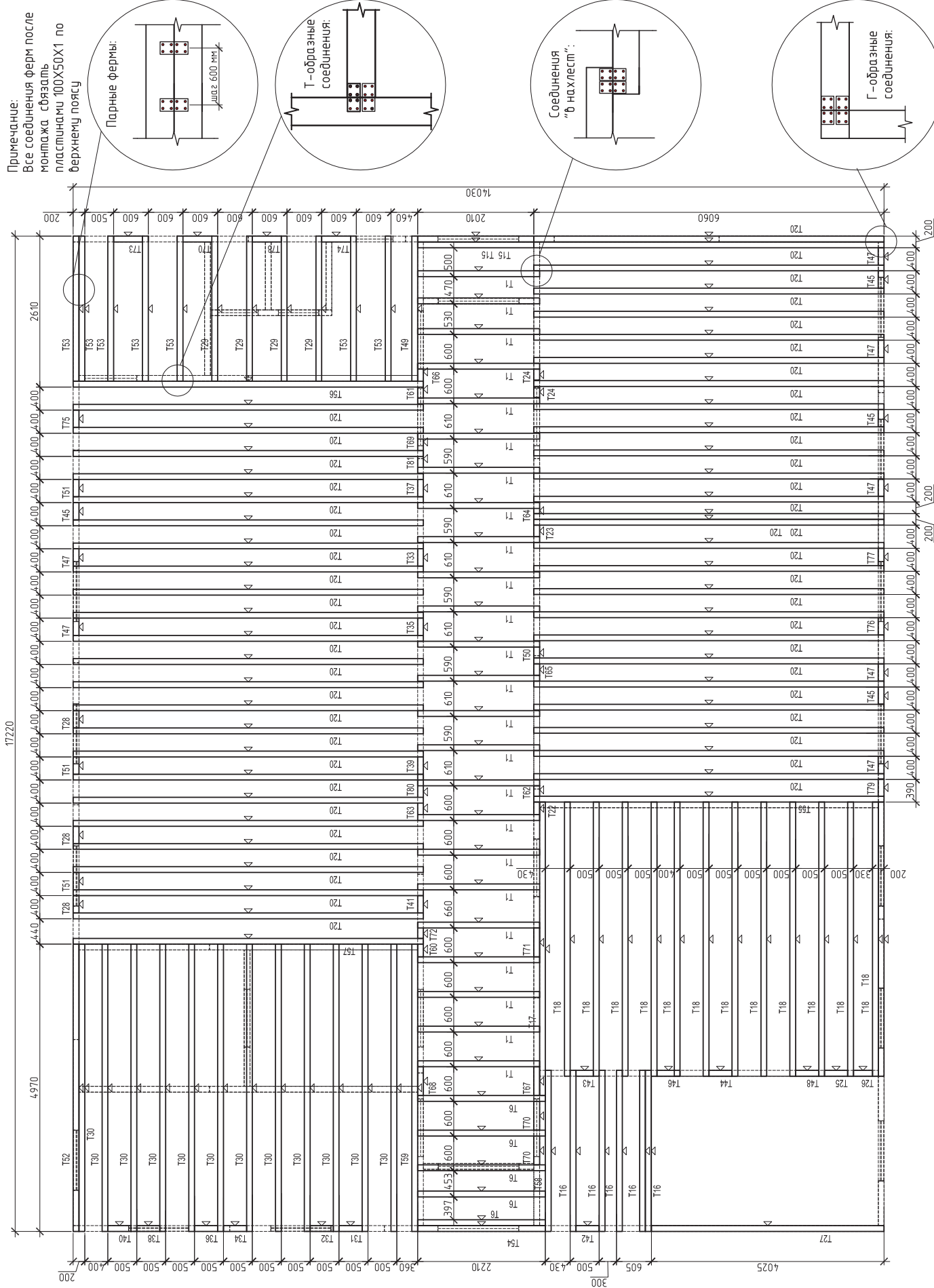


Второй этап_ фермы перекрытия

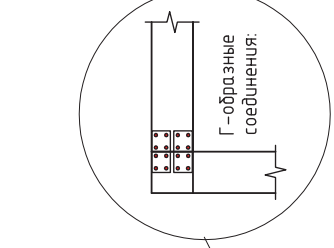
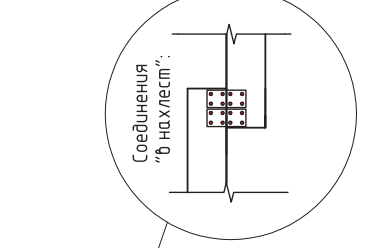
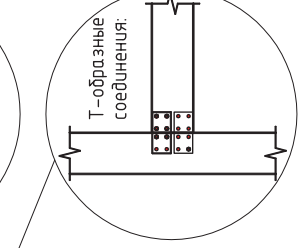
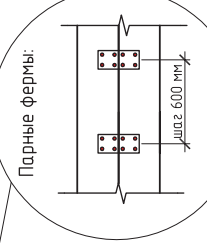


Спецификация ферм перекрытия

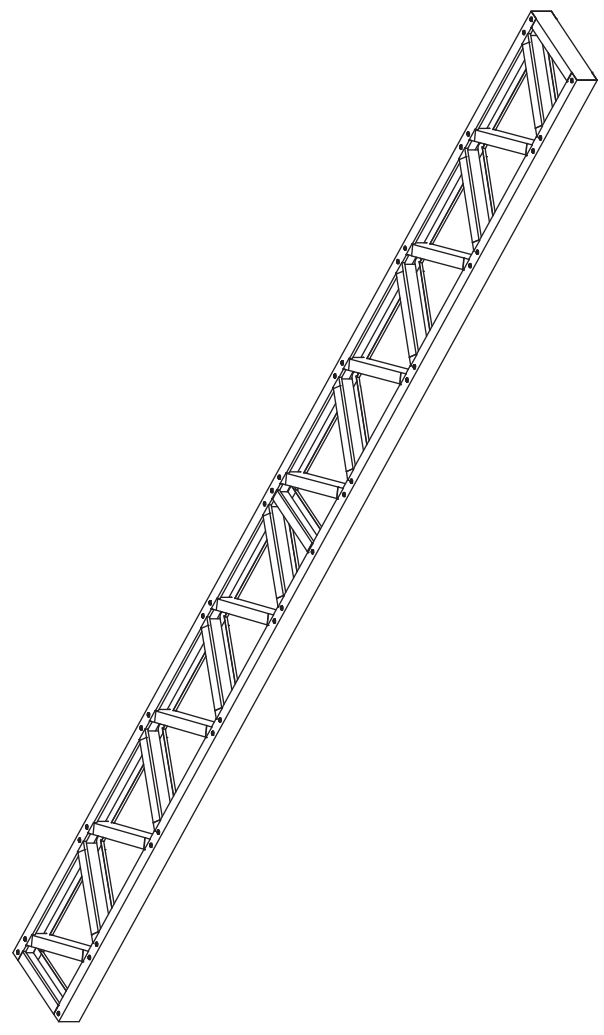
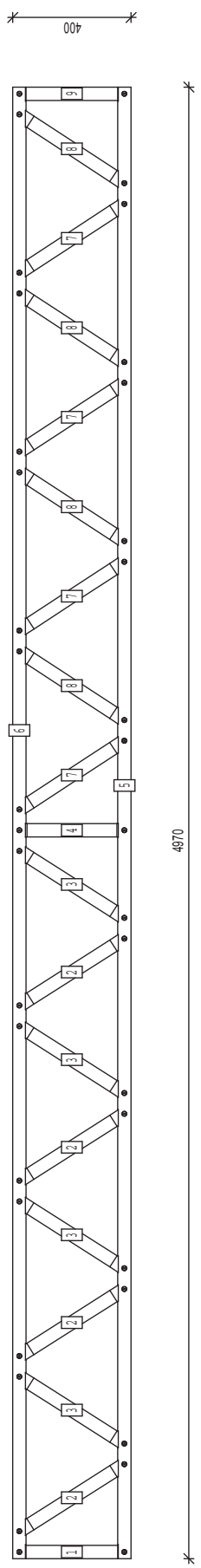
Panel ID	Qty	Weight (kg)
T1	24	307.72
T6	5	68.67
T15	2	24.80
T16	5	82.91
T17	1	35.57
T18	13	358.58
T20	49	1669.54
T22	1	2.65
T23	1	2.60
T24	2	3.87
T25	1	3.32
T26	1	3.06
T27	1	23.63
T28	3	8.85
T29	4	64.03
T30	12	360.35
T31	1	3.33
T32	1	3.33
T33	1	2.95
T34	1	3.32
T35	1	2.96
T36	1	3.31
T37	1	2.94
T38	1	3.33
T39	1	2.95
T40	1	3.33
T41	1	2.95
T42	1	3.32
T43	1	2.94
T44	1	3.33
T45	4	11.80
T46	1	2.94
T47	7	20.61
T48	1	3.31
T49	1	18.79
T50	1	2.57
T51	3	8.88
T52	1	28.54
T53	7	108.01
T54	1	13.25
T55	1	45.48
T56	1	42.16
T57	1	44.90
T58	1	19.90
T59	1	35.11
T60	1	2.02
T61	1	1.90
T62	1	1.87
T63	1	1.94
T64	1	1.99
T65	1	2.60
T66	1	1.97
T67	1	4.87
T68	1	4.87
T69	1	1.95
T70	3	12.79
T71	1	4.88
T72	1	1.88
T73	1	3.72
T74	1	3.74
T75	1	2.95
T76	1	2.94
T77	1	2.94
T78	1	4.26
T79	1	2.91
T80	1	1.94
T81	1	1.92
		3543.14



Примечание:
 Все соединения ферм после
 монтажа связать
 пластинами 100X50X1 по
 верхнему поясу



Truss: T30 Quantity: 12 Spacing: 500 PROJECT 17_013 PANEL HEIGHT 407 PANEL WEIGHT 30.0kg 17.03.2017 ООО "Директ Инвест" www.directsk.ru +7 988 986-11-12



BOAST SCHEDULE			
LINE	QTY	MTRL	LENGTH
5	1	CL00-45-13.6-1.0	4970
6	1	CL00-45-13.6-1.0	4970
7	4	CL00-45-13.6-1.0	458
8	4	CL00-45-13.6-1.0	454
2	4	CL00-45-13.6-1.0	454
3	4	CL00-45-13.6-1.0	398
1	1	CL00-45-13.6-1.0	398
9	1	CL00-45-13.6-1.0	389
4	1	CL00-45-13.6-1.0	389
Total Length:			18421.00mm

Truss: T34

Quantity: 1
Spacing: 400

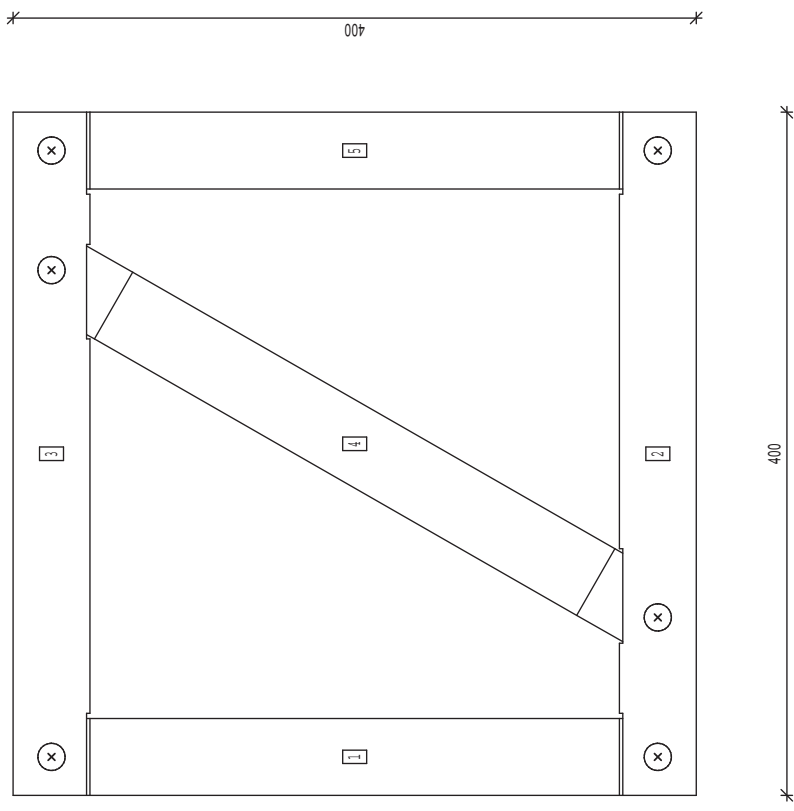
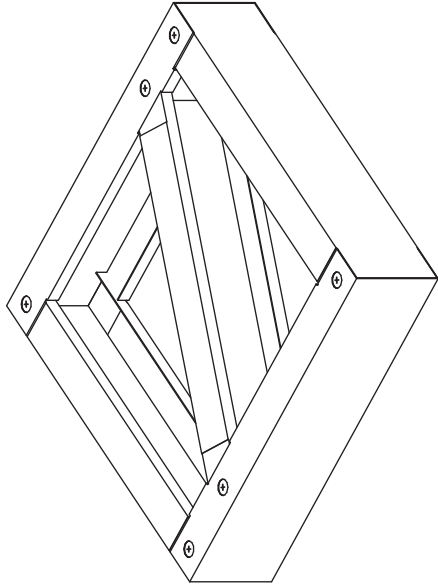
PROJECT 17_013
SCREW QTY: 12

PANEL HEIGHT 406

PANEL WEIGHT 3.3kg

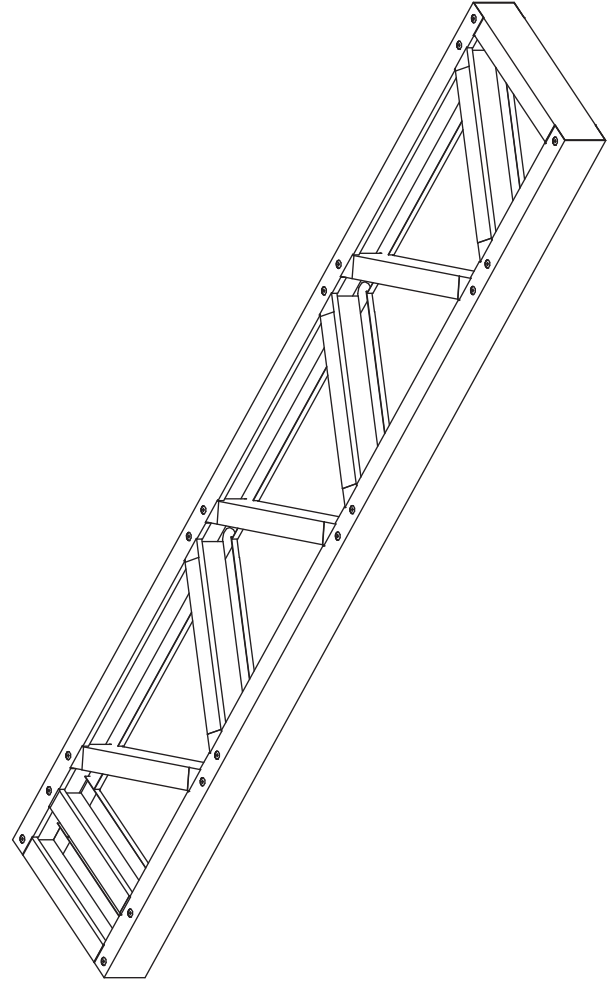
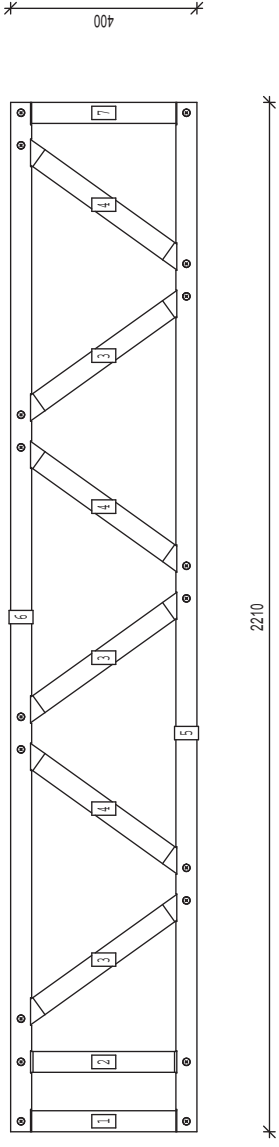
17.03.2017

ООО "Директ Метал" www.directsk.ru +7 898 966-11-12



JOIST SCHEDULE			
PIECE	QTY	MTRL	LENGTH
4	1	CL00-45-13.6-1.0	443
2	1	CL00-45-13.6-1.0	400
3	1	CL00-45-13.6-1.0	400
1	1	CL00-45-13.6-1.0	398
5	1	CL00-45-13.6-1.0	398
Total Length:			2039.00mm

Truss: T6 Quantity: 5 Spacing: 600 PROJECT 17_013 PANEL HEIGHT 408 PANEL WEIGHT 13.7kg 17.03.2017 ООО "Директ Ивент" www.directsk.ru +7 988 966-11-42

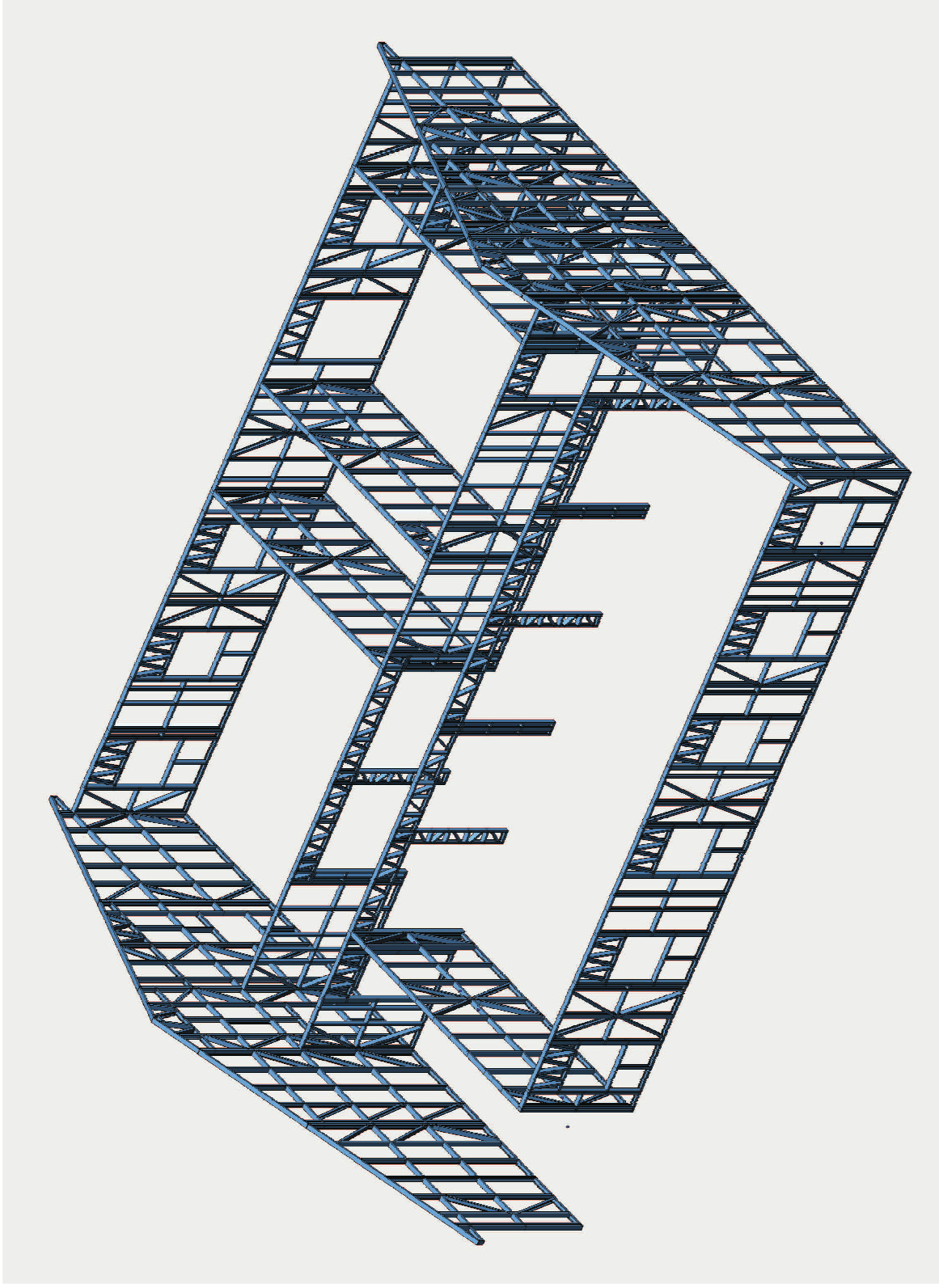


JOIST SCHEDULE				
PIECE	QTY	MTRL	DESCRIPTION	LENGTH
5	1	CL00-45-13.6-1.0	BOTTOM CHORD	2210
6	1	CL00-45-13.6-1.0	TOP CHORD	2210
3	3	CL00-45-13.6-1.0	WEB	470
4	3	CL00-45-13.6-1.0	WEB	470
1	1	CL00-45-13.6-1.0	WEB	398
7	1	CL00-45-13.6-1.0	WEB	398
2	1	CL00-45-13.6-1.0	WEB	389
Total Length:				8425.00mm

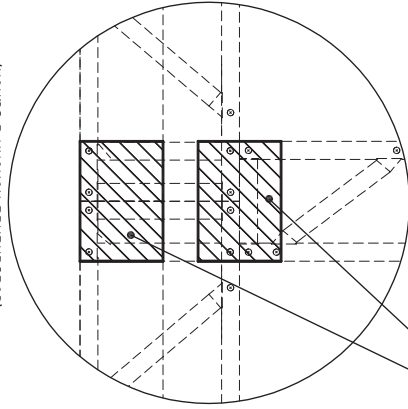
Спецификация панелей стен 2 этажа

Третий этаж_панели стен 2 этажа

Panel ID	Qty	Weight (kg)
GE1	1	57.40
GE2	1	42.24
GE3	1	57.81
GE4	1	42.24
GE5	1	57.81
GE6B	1	51.96
GE6C	1	57.94
GE6D	1	65.33
GE6E	1	52.90
GE6F	1	64.87
GE6G	1	70.63
GE7	1	42.24
GE8	1	57.59
GE9	1	41.66
GE11	1	74.32
GE11A	1	89.48
GE11B	1	89.03
GE11C	1	83.36
GE11D	1	79.97
GE25	1	65.95
GE25B	1	93.17
GE30	1	51.72
GE32	1	78.60
GE34	1	36.01
GE34B	1	79.71
GE39	1	59.06
GE39B	1	42.58
GE39C	1	13.49
GE39D	1	16.54
GE39G	1	13.49
GE39H	1	16.80
GE39J	1	13.49
GE39L	1	16.80
GE60	1	99.63
GE60C	1	17.31
GE60D	1	63.75
GE60E	1	49.72
GE60F	1	43.64
GE60G	1	13.49
GE60I	1	12.84
GE82	1	51.55
GE85	1	52.29
GE86	1	23.63
GE88	1	23.63
GE94H	1	108.34
GE94I	1	56.98
GE94J	1	75.68
GE94K	1	71.32
GE94L	1	83.88
GE94M	1	72.89
T_11	1	43.22
T_7	1	38.58
T_8	1	39.13
T_10	1	21.71
Полоса 208x1		179.30
		3018.76



Узел 1
(соединение колонн и балок)



Соединить колонну с балкой и балки между собой
Пластинами 208x300x1, с двух сторон

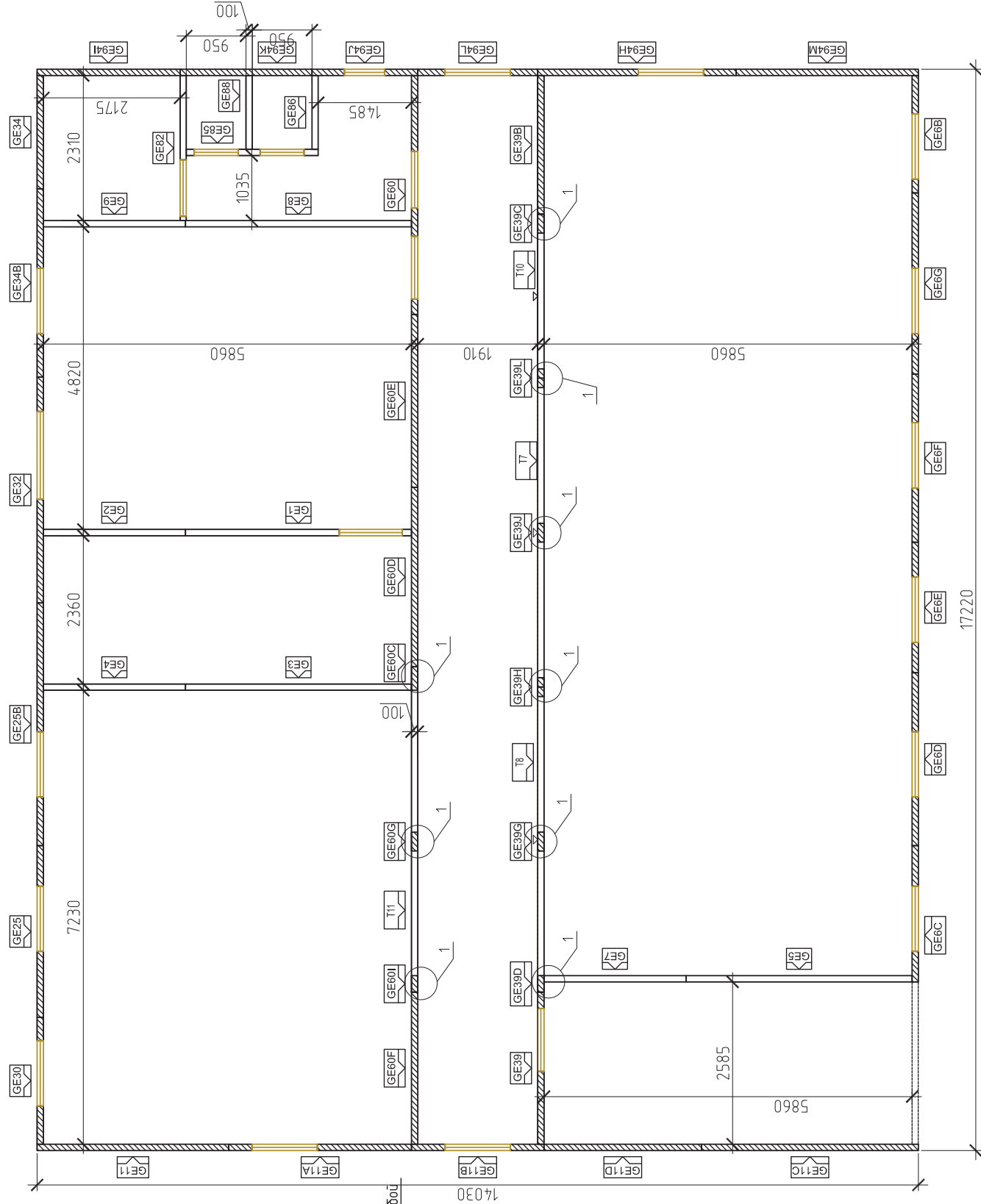
Примечание:
Колонны крепить к стенам пластинами
100x50x1 с шагом 300 мм с двух сторон.



- несущие стены
высотой 2780
устанавливаются на
фермы перекрытия



- перегородки
высотой 2720 мм
устанавливаются
на предчистовую
отделку пола



WALL PANEL
GE1

QUANTITY
1

PROJECT
17_013

SCREW QTY: 66

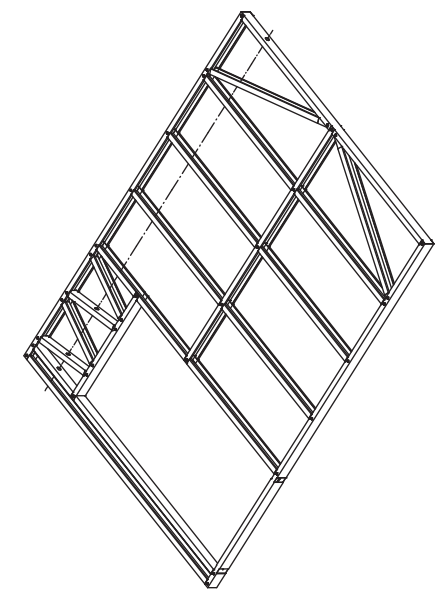
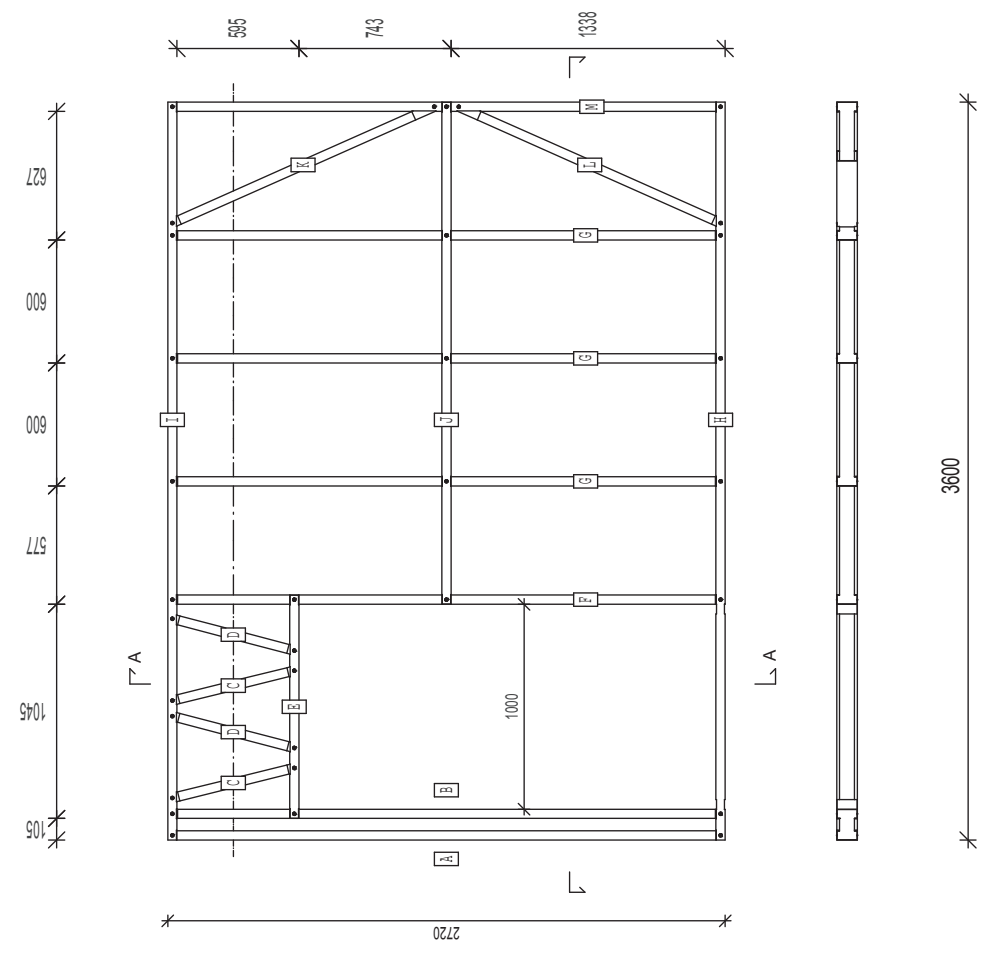
PANEL HEIGHT
2724

PANEL WEIGHT
57.4kg

17.03.2017

ООО "Директ Инвест" www.directsk.ru +7 888 866-11-12

PIECE LIST				
LABEL	QTY	MATERIAL	DESCRIPTION	LENGTH
A	1	C10045-036-10	STUD	2718
B	1	C10045-036-10	KING STUD	2718
C	2	C10045-036-10	INTERNAL BRACE	647
D	2	C10045-036-10	INTERNAL BRACE	649
E	1	C10045-036-10	HEADER	1088
F	1	C10045-036-10	KING STUD	2718
G	3	C10045-036-10	STUD	2718
H	1	C10045-036-10	BOTTOM TRACK	3600
I	1	C10045-036-10	TOP TRACK	3600
J	1	C10045-036-10	NOGGIN	2448
K	1	C10045-036-10	DIAGONAL BRACE	1430
L	1	C10045-036-10	DIAGONAL BRACE	1430
M	1	C10045-036-10	STUD	2718
Total Length: 32714.00mm				



WALL PANEL
GE8

QUANTITY
1

PROJECT
17_013

SCREW QTY: 88

PANEL HEIGHT
2723

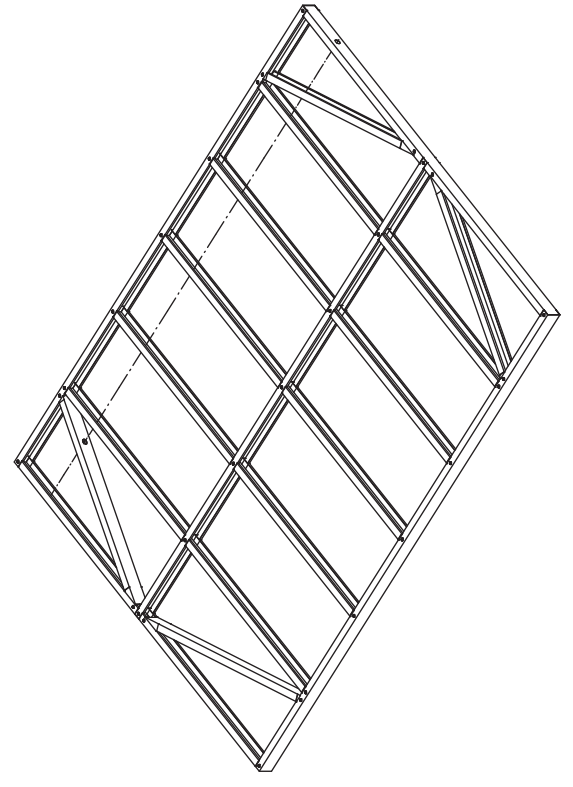
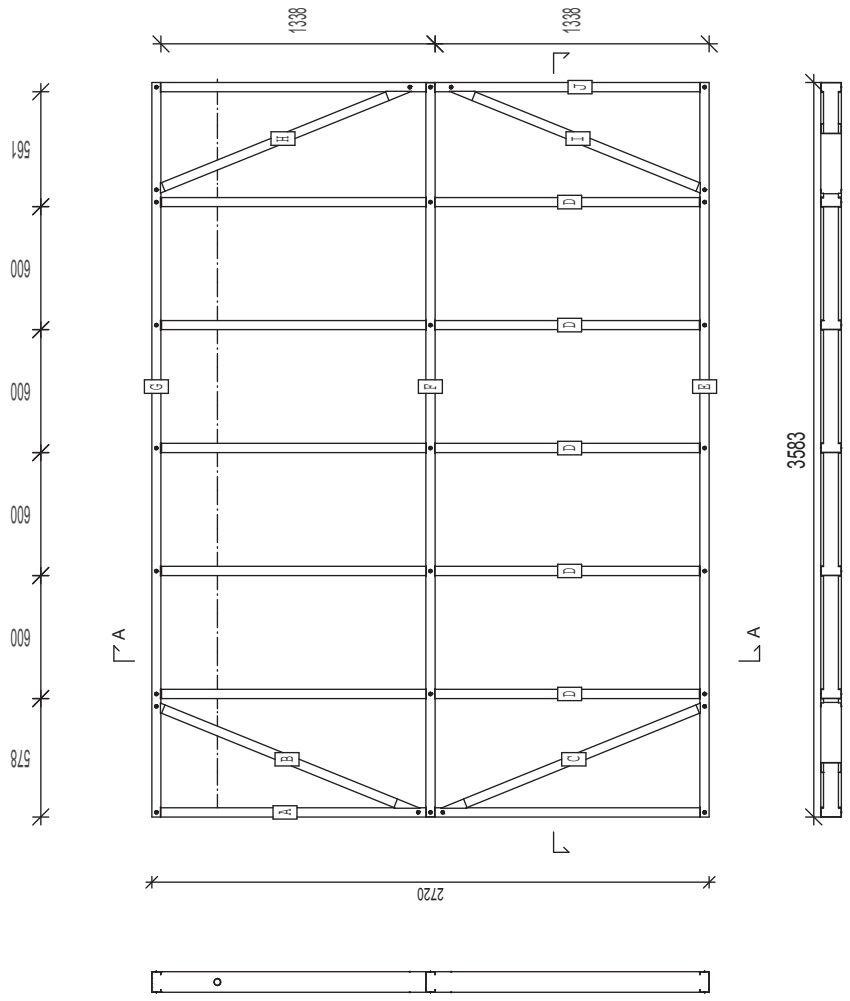
PANEL WEIGHT
57.6kg

17.03.2017

ООО "Директ Инвест" www.directsk.ru +7 988 966-11-12

PIECE LIST				
LABEL	QTY	MATERIAL	DESCRIPTION	LENGTH
A	1	C10/45-18/6-10	STUD	2718
B	1	C10/45-18/6-10	DIAGONAL BRACE	1411
C	1	C10/45-18/6-10	DIAGONAL BRACE	1411
D	5	C10/45-18/6-10	STUD	2718
E	1	C10/45-18/6-10	BOTTOM TRACK	3383
F	1	C10/45-18/6-10	NOGGIN	3581
G	1	C10/45-18/6-10	TOP TRACK	3383
H	1	C10/45-18/6-10	DIAGONAL BRACE	1367
I	1	C10/45-18/6-10	DIAGONAL BRACE	1367
J	1	C10/45-18/6-10	STUD	2718

Total Length: 33329.00mm



WALL PANEL
GE11

QUANTITY
1

PROJECT
17_013

SCREW QTY: 82

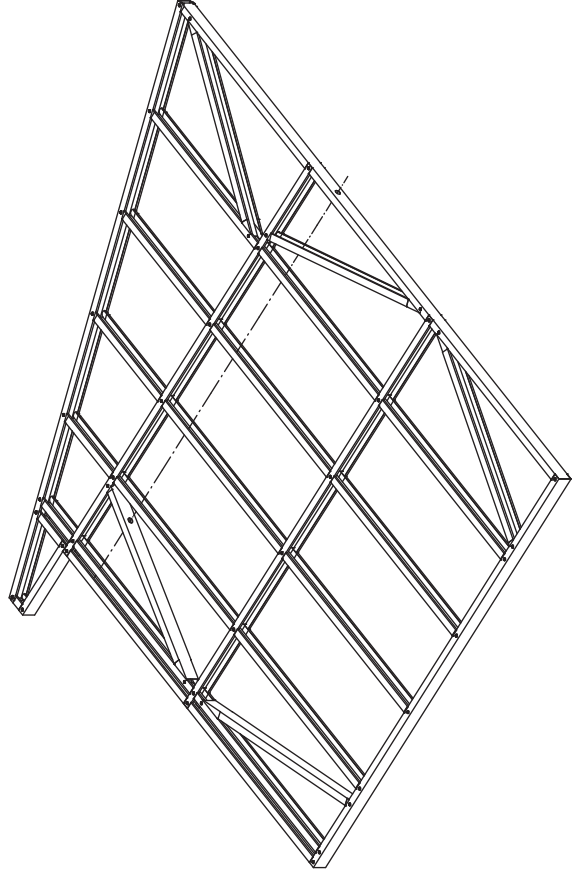
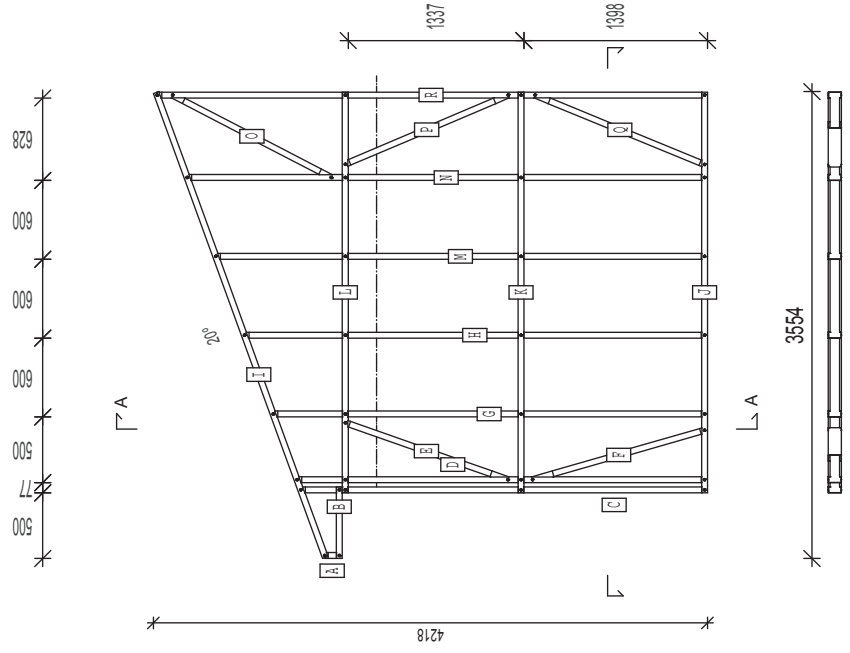
PANEL HEIGHT
4223

PANEL WEIGHT
74.3kg

17.03.2017

ООО "Директ Инвест" www.directsk.ru +7 888 966-11-12

PIECE LIST				
LABEL	QTY	MATERIAL	DESCRIPTION	LENGTH
A	1	C10045-036-10	WEB	148
B	1	C10045-036-10	BOTTOM CHORD	544
C	1	C10045-036-10	STUD	312
D	1	C10045-036-10	STUD	3140
E	1	C10045-036-10	DIAGONAL BRACE	1343
F	1	C10045-036-10	DIAGONAL BRACE	1384
G	1	C10045-036-10	STUD	3322
H	1	C10045-036-10	STUD	3541
I	1	C10045-036-10	TOP TRACK	3766
J	1	C10045-036-10	BOTTOM TRACK	3050
K	1	C10045-036-10	NOGGIN	3048
L	1	C10045-036-10	NOGGIN	3048
M	1	C10045-036-10	STUD	3739
N	1	C10045-036-10	STUD	3978
O	1	C10045-036-10	DIAGONAL BRACE	1383
P	1	C10045-036-10	DIAGONAL BRACE	1380
Q	1	C10045-036-10	DIAGONAL BRACE	1427
R	1	C10045-036-10	STUD	4206
Total Length: 45399.00mm				



WALL PANEL
GE39G

QUANTITY
1

PROJECT
17_013

SCREW QTY: 44

PANEL HEIGHT
2780

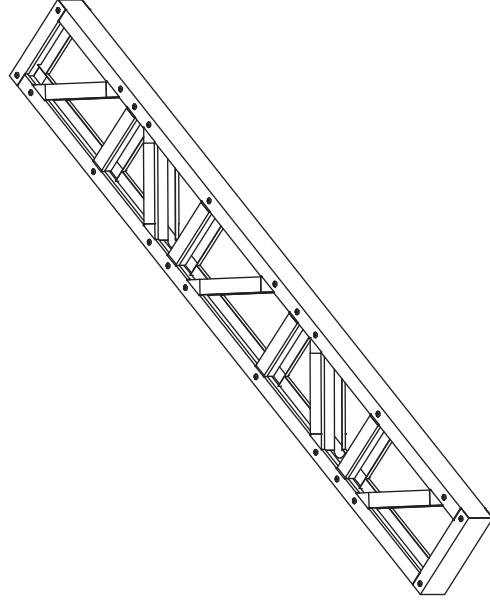
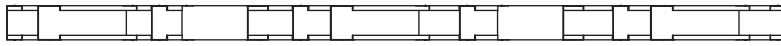
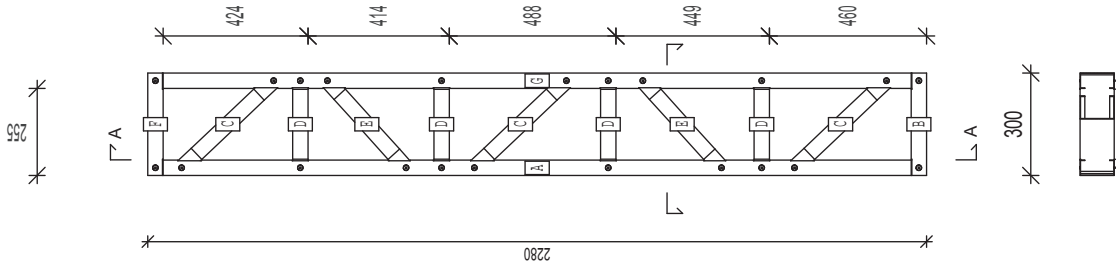
PANEL WEIGHT
13.5kg

17.03.2017

ООО "Директ Инвест" www.directsk.ru +7 988 966-11-12

PIECE LIST				
LABEL	QTY	MATERIAL	DESCRIPTION	LENGTH
A	1	C10045-036-10	STUD	2278
B	1	C10045-036-10	BOTTOM TRACK	300
C	3	C10045-036-10	WOGGN	404
D	4	C10045-036-10	WOGGN	289
E	2	C10045-036-10	WOGGN	377
F	1	C10045-036-10	TOP TRACK	300
G	1	C10045-036-10	STUD	2278

Total Length: 8278.00mm



WALL PANEL
T_10

QUANTITY
1

PROJECT
17_013

SCREW QTY: 64

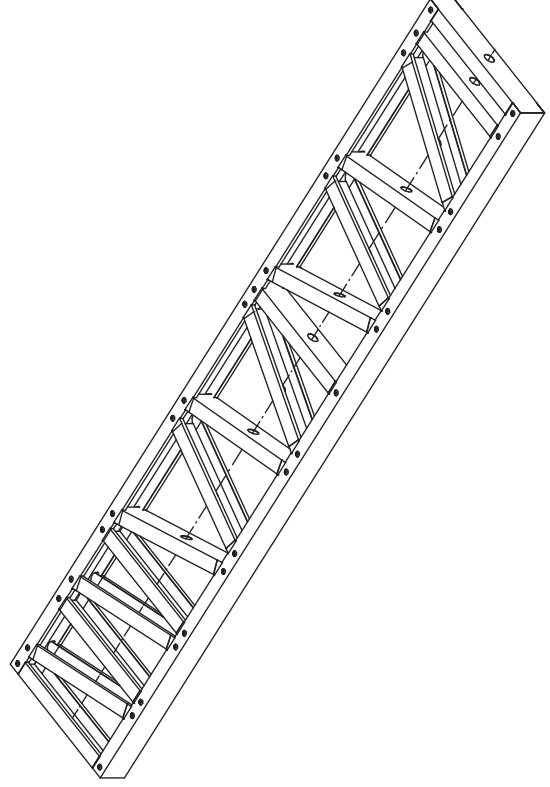
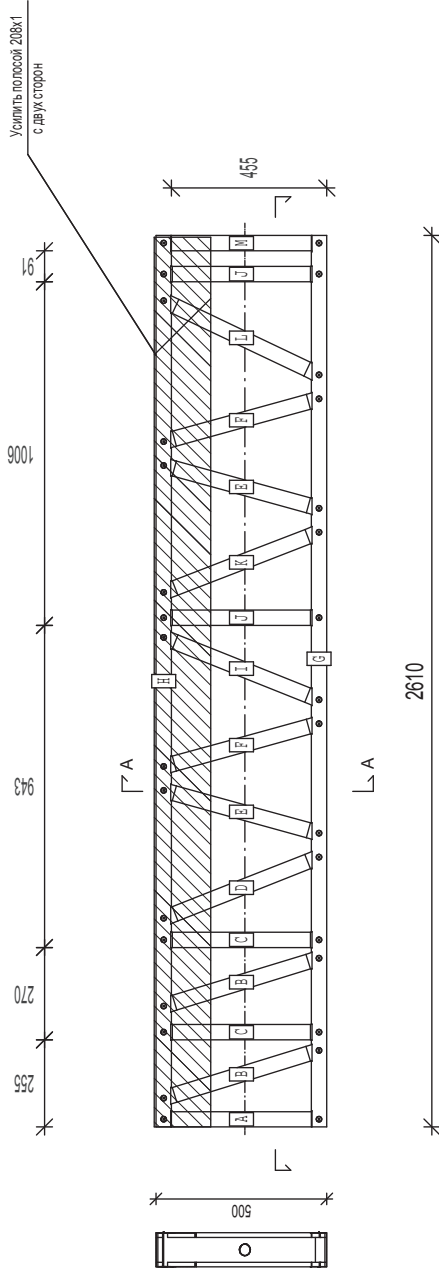
PANEL HEIGHT
504

PANEL WEIGHT
21.7kg

17.03.2017

ООО "Директ Инвест" www.directsk.ru +7 988 966-11-12

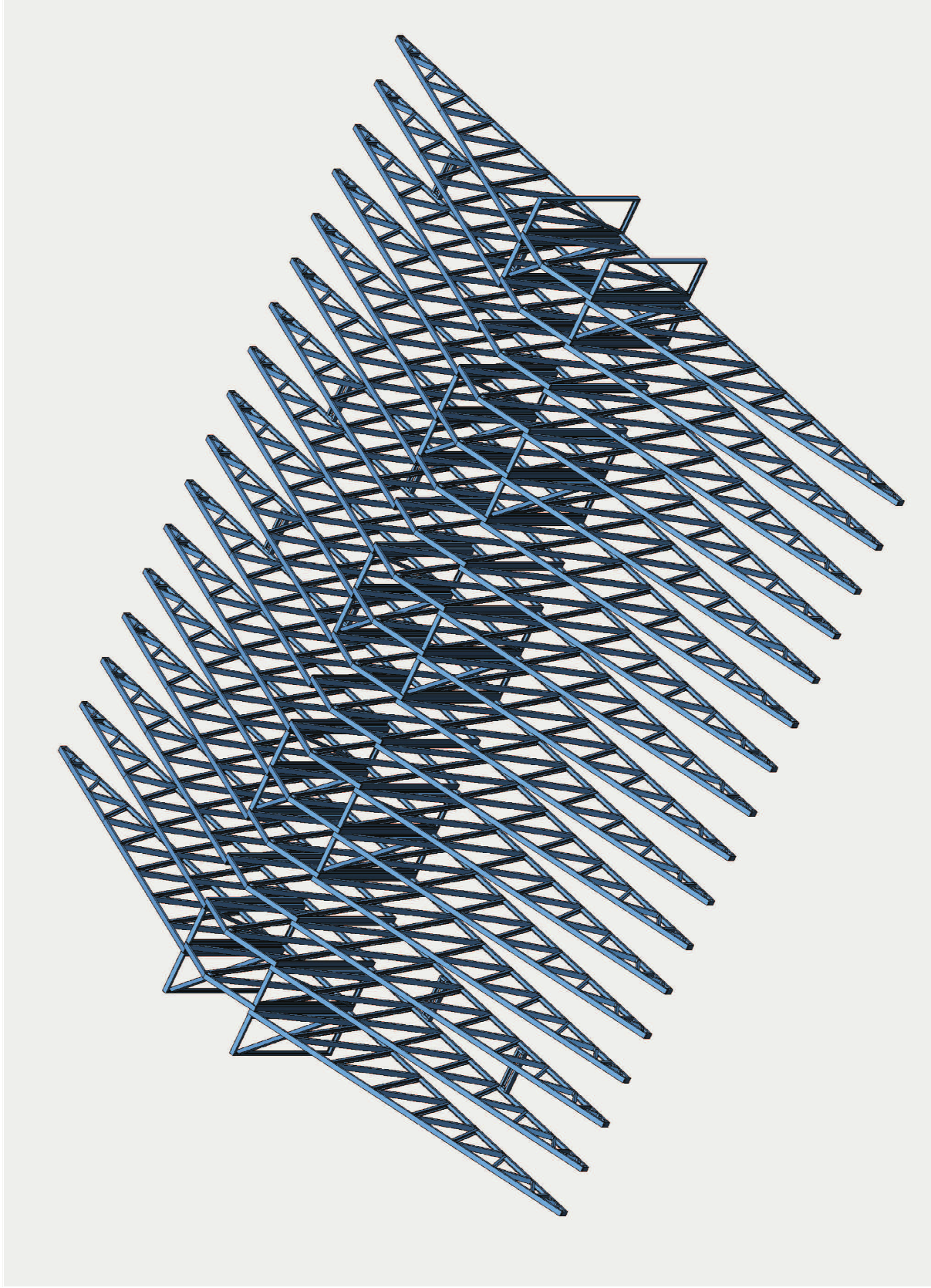
PIECE LIST				
LABEL	QTY	MATERIAL	DESCRIPTION	LENGTH
A	1	C10045-036-10	WEB	498
B	2	C10045-036-10	WEB	510
C	2	C10045-036-10	WEB	493
D	1	C10045-036-10	WEB	523
E	2	C10045-036-10	WEB	506
F	2	C10045-036-10	WEB	506
G	1	C10045-036-10	BOTTOM CHORD	2610
H	1	C10045-036-10	TOP CHORD	2610
I	1	C10045-036-10	WEB	324
J	2	C10045-036-10	WEB	493
K	1	C10045-036-10	WEB	322
L	1	C10045-036-10	WEB	538
M	1	C10045-036-10	WEB	498
Total Length: 13323.00mm				

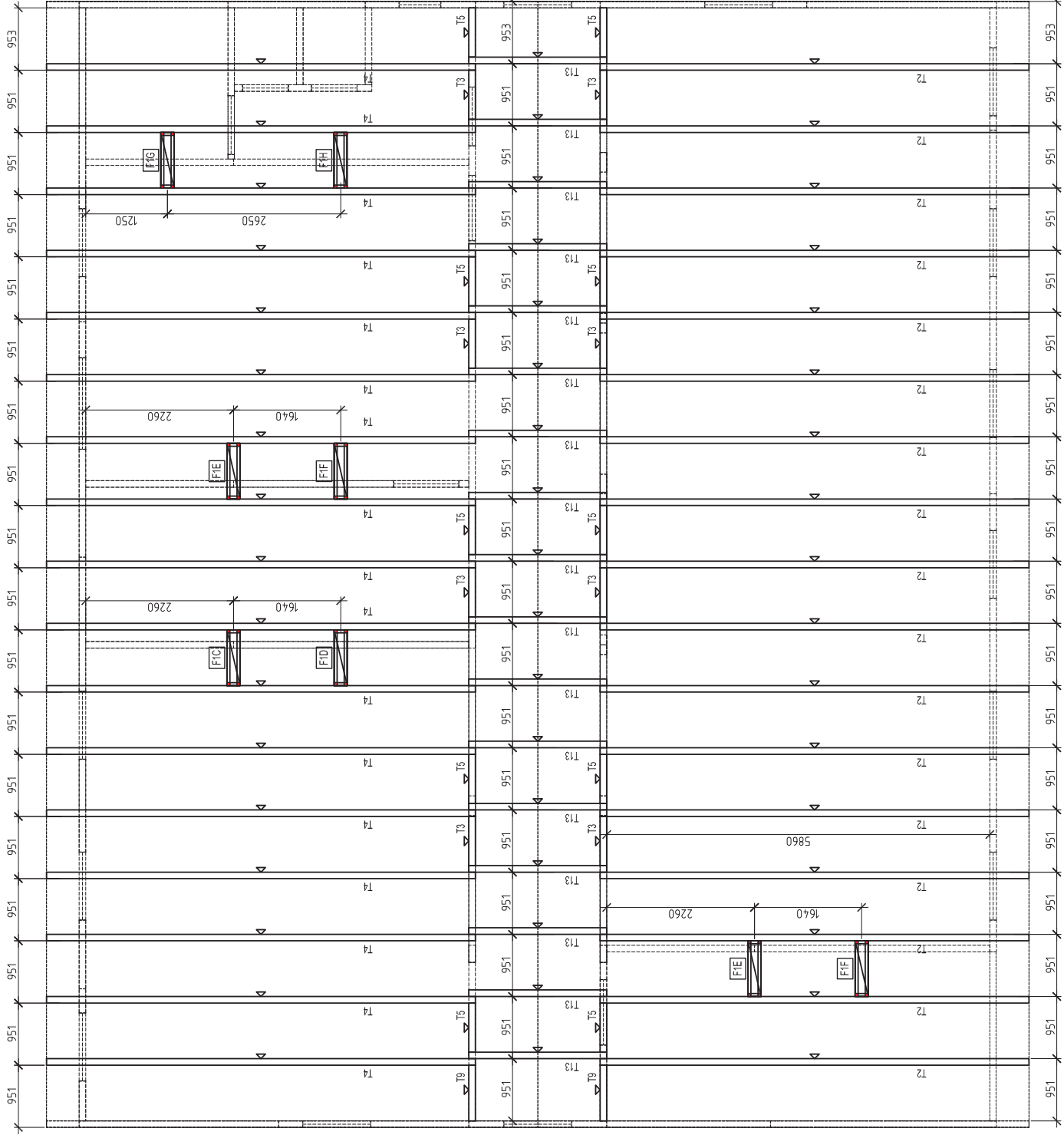


Четвертый этап_фермы кровли

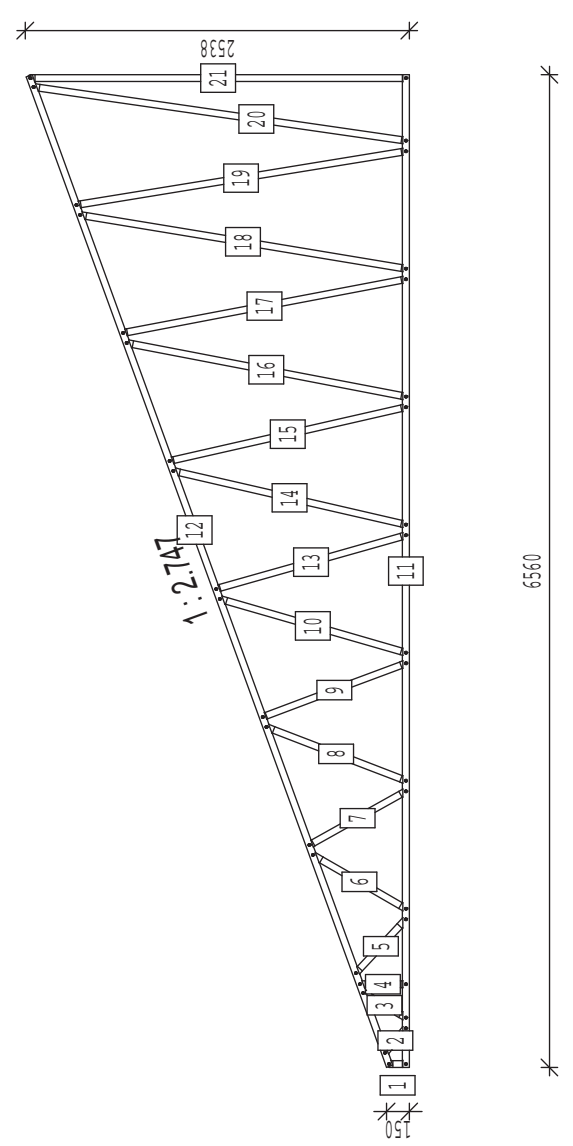
Спецификация ферм кровли

Panel ID	Qty	Weight (kg)
T2	17	1051,80
T3	8	115,92
T4	17	1051,80
T5	10	144,99
T9	2	29,71
T13	17	566,62
F1	1	3,42
F1B	1	3,42
F1C	1	3,42
F1D	1	3,42
F1E	1	3,42
F1F	1	3,42
F1G	1	3,42
F1H	1	3,42
		2986,20





6560



JOIST SCHEDULE				
PCE	QTY	MTRL	DESCRIPTION	LENGTH
12	1	C100-45-13.6-1.0	TOP CHORD	6965
11	1	C100-45-13.6-1.0	BOTTOM CHORD	6560
20	1	C100-45-13.6-1.0	WEB	2521
21	1	C100-45-13.6-1.0	WEB	2519
19	1	C100-45-13.6-1.0	WEB	2241
18	1	C100-45-13.6-1.0	WEB	2217
17	1	C100-45-13.6-1.0	WEB	1937
16	1	C100-45-13.6-1.0	WEB	1914
15	1	C100-45-13.6-1.0	WEB	1636
14	1	C100-45-13.6-1.0	WEB	1612
13	1	C100-45-13.6-1.0	WEB	1337
10	1	C100-45-13.6-1.0	WEB	1314
9	1	C100-45-13.6-1.0	WEB	1044
8	1	C100-45-13.6-1.0	WEB	1022
7	1	C100-45-13.6-1.0	WEB	764
6	1	C100-45-13.6-1.0	WEB	743
5	1	C100-45-13.6-1.0	WEB	518
3	1	C100-45-13.6-1.0	WEB	360
4	1	C100-45-13.6-1.0	WEB	338
2	1	C100-45-13.6-1.0	WEB	247
1	1	C100-45-13.6-1.0	WEB	148
Total Length: 37957.00mm				

Truss: T3

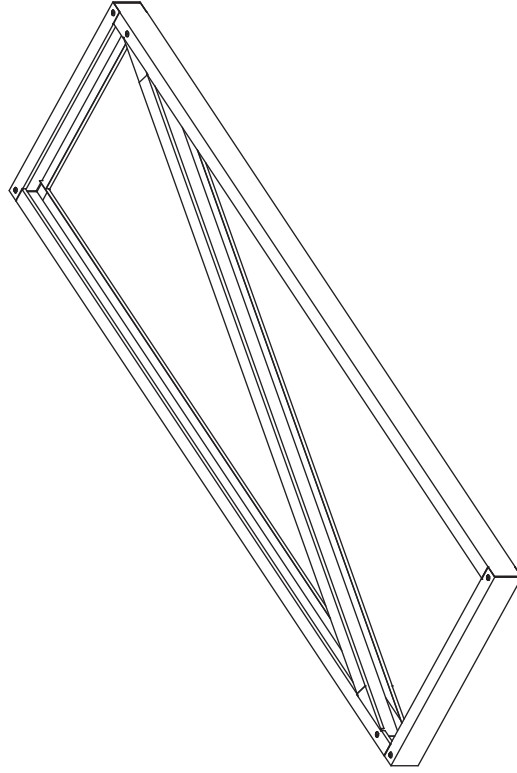
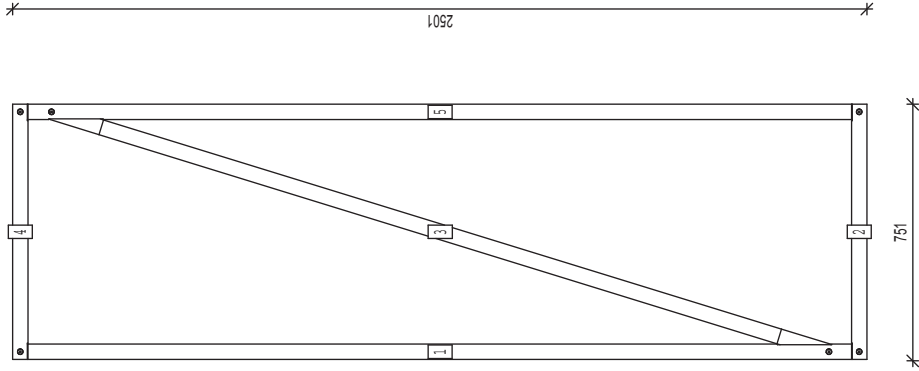
Quantity: 8
Spacing: 965

PROJECT 17
SCREEN QTY: 12

PANEL HEIGHT 2501

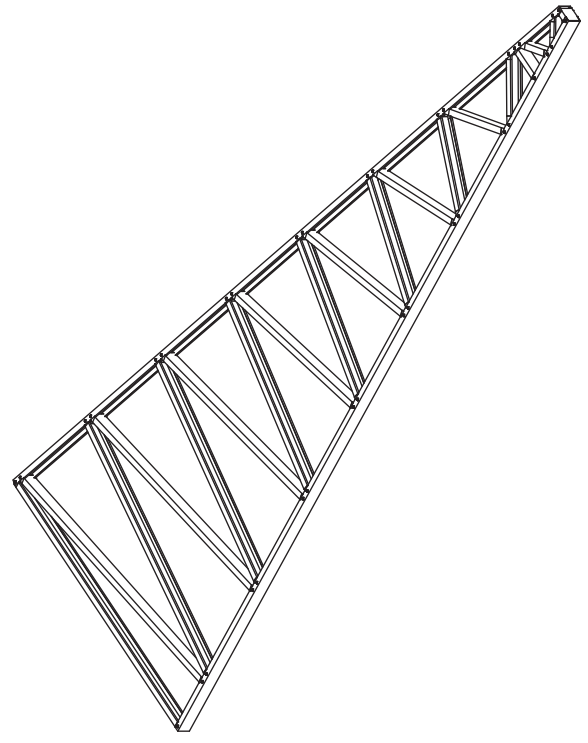
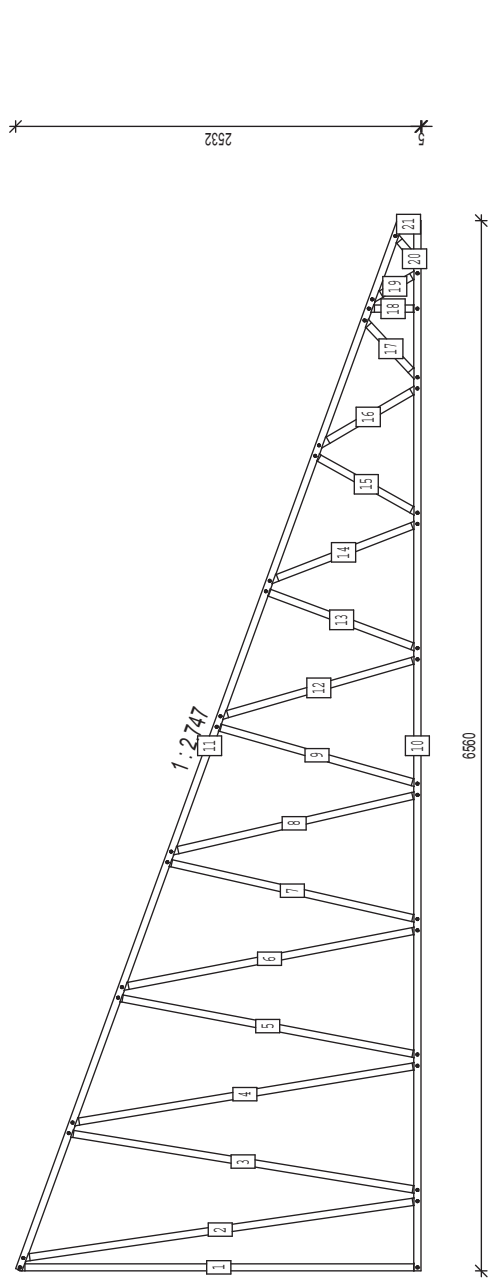
PANEL WEIGHT 14.5kg

17.03.2017 000 "Директ Мабект" www.directsk.ru +7 988 986-11-12



JOIST SCHEDULE			
PC	QTY	MTRL	LENGTH
1	1	C100-45-13.6-1.0	2492
5	1	C100-45-13.6-1.0	2492
3	1	C100-45-13.6-1.0	2411
2	1	C100-45-13.6-1.0	747
4	1	C100-45-13.6-1.0	747
Total Length:			8889.00mm

Truss: T4 Quantity: 17 Spacing: 965 PROJECT 17 SCREEN QTY: 76 PANEL HEIGHT 2542 PANEL WEIGHT 61.9kg 17.03.2017 ООО "Директ Мабект" www.directsk.ru +7 988 965-11-12



JOIST SCHEDULE				
PCB	QTY	MTRL	DESCRIPTION	LENGTH
11	1	C100-45-13.6-1.0	TOP CHORD	6985
10	1	C100-45-13.6-1.0	BOTTOM CHORD	6560
2	1	C100-45-13.6-1.0	WEB	2521
1	1	C100-45-13.6-1.0	WEB	2519
3	1	C100-45-13.6-1.0	WEB	2241
4	1	C100-45-13.6-1.0	WEB	2217
5	1	C100-45-13.6-1.0	WEB	1937
6	1	C100-45-13.6-1.0	WEB	1914
7	1	C100-45-13.6-1.0	WEB	1636
8	1	C100-45-13.6-1.0	WEB	1612
9	1	C100-45-13.6-1.0	WEB	1337
12	1	C100-45-13.6-1.0	WEB	1314
13	1	C100-45-13.6-1.0	WEB	1044
14	1	C100-45-13.6-1.0	WEB	1022
15	1	C100-45-13.6-1.0	WEB	764
16	1	C100-45-13.6-1.0	WEB	743
17	1	C100-45-13.6-1.0	WEB	518
19	1	C100-45-13.6-1.0	WEB	360
18	1	C100-45-13.6-1.0	WEB	338
20	1	C100-45-13.6-1.0	WEB	247
21	1	C100-45-13.6-1.0	WEB	148
Total Length: 37957.60mm				